

# **GREENMAN**

## **ZERO-TURN MOWER**

*PARTS MANUAL*

*500SERIES*

*MODELS:GMZT52C/60C*



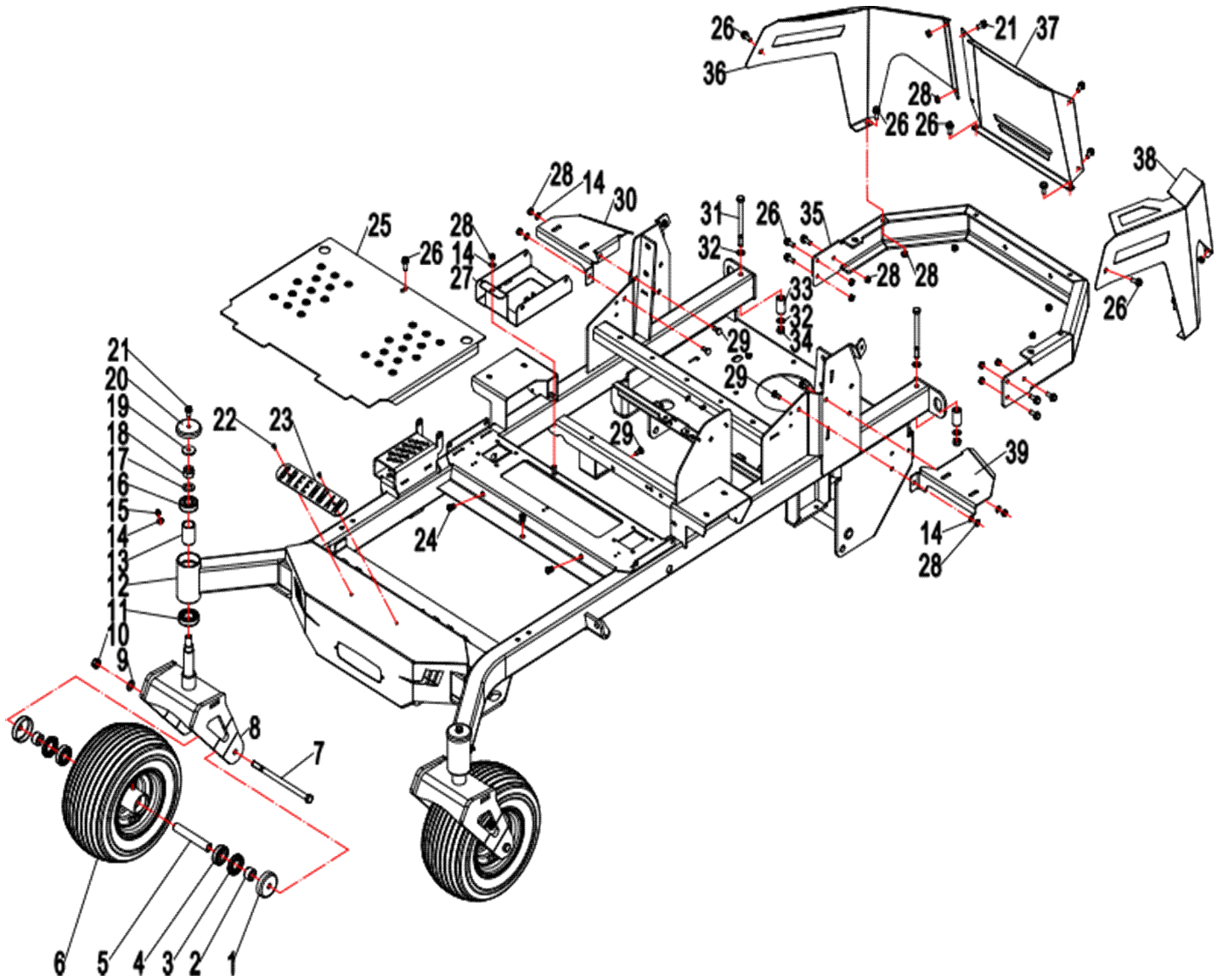
**SABRE ITALIA**  
Attrezzati per natura

The logo for Sabre Italia features a stylized red graphic above the company name. The graphic consists of a horizontal line on the left, a vertical line on the right, and a curved element connecting them at the top, resembling a leaf or a stylized 'S'. Below the name, the tagline 'Attrezzati per natura' is written in a smaller font.

Jan. 15, 2026

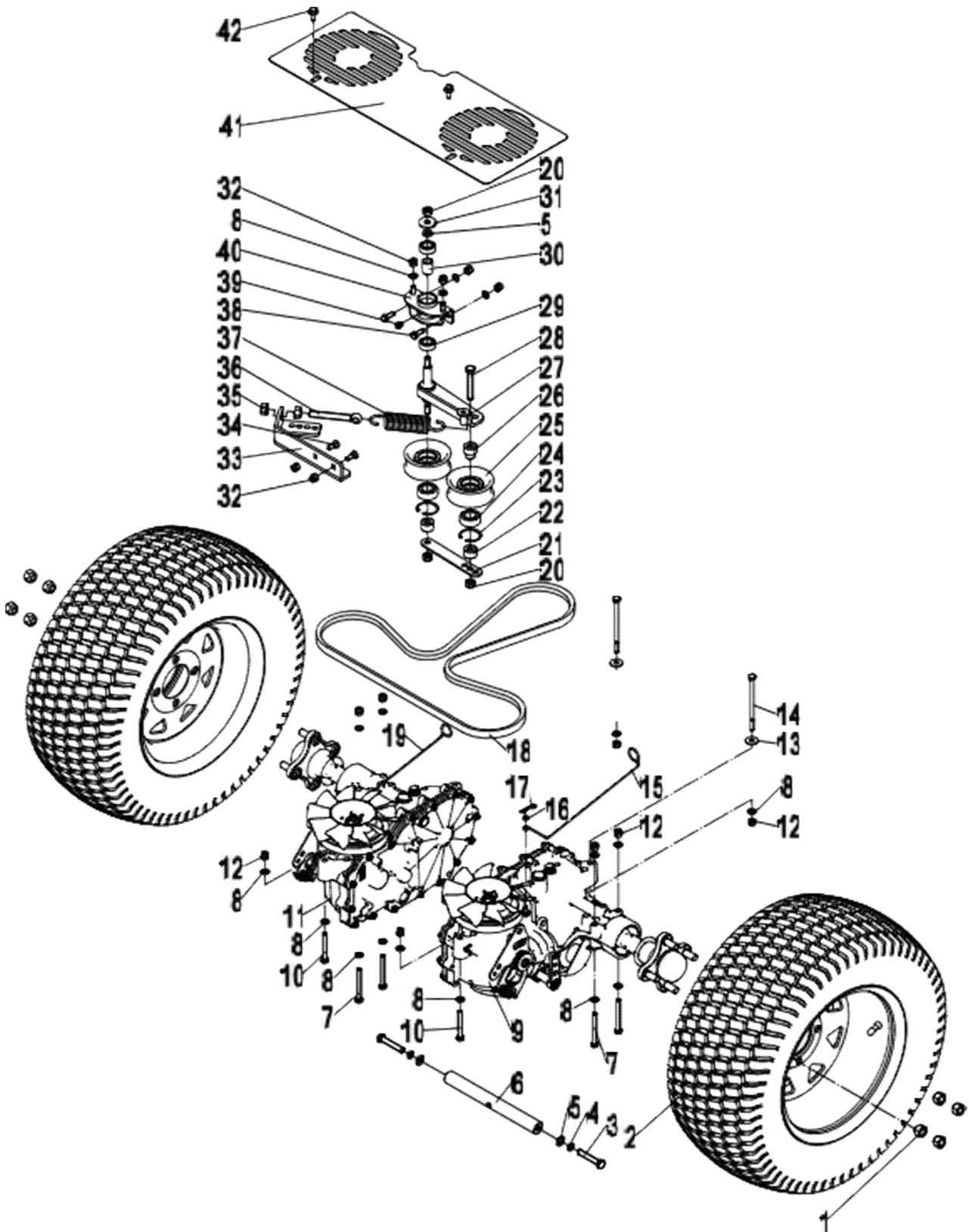
# PARTS MANUAL-GMZT52SC & GMZT60SC

## CHASSIS ASSEMBLY



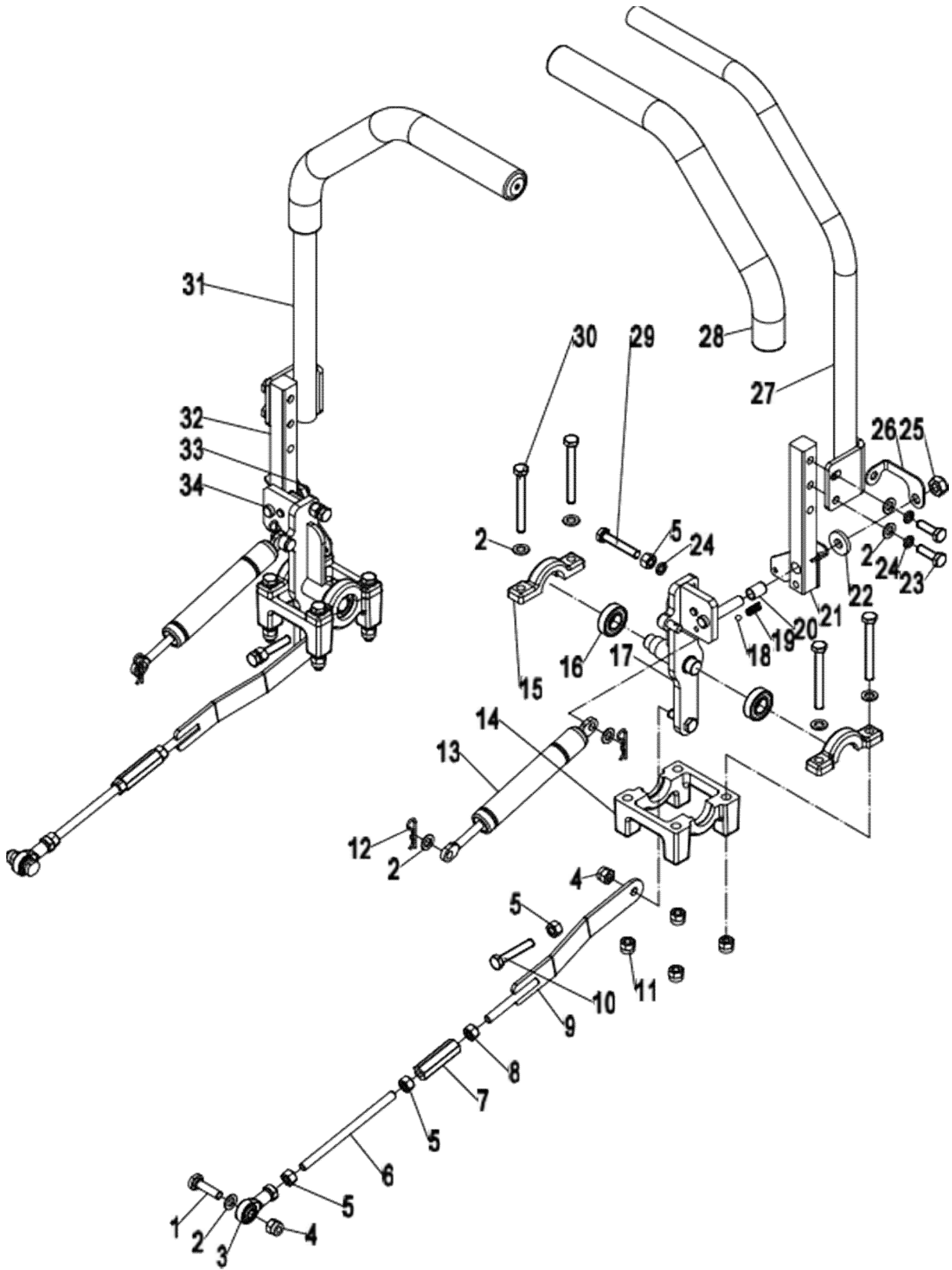
Item No.	Part No.	Name	Description	Qty.	Others
1	4065160	Bearing Dust Cap		4	
2	7083520	Spacer		4	
3	7075009	Skeleton Grease Seal	30×50×8	4	
4	7061233	Tapered Roller Bearing	30204	4	
5	7083510	Bearing Spacer		2	
6	8032430	Caster Wheel	13×6.5-6	2	
7	7011288	Hex Bolt	M12×200	2	
8	4034987	Caster Wheel Fork		2	
9	7031201	Washer	Φ12	2	
10	7021204A	Lock Nut	M12	2	
11	7061234	Tapered Roller Bearing	30205	2	
12	4039602	Chassis		1	
13	7085360	Spacer		2	
14	7030819	Washer	Φ8	8	
15	7320020	Grease Zerk	M8×1	2	
16	7060401	Deep Groove Ball Bearing	6204	2	
17	7031602	Washer	Φ16	2	
18	7021603	Lock Nut	M16	2	
19	7080470	Spacer		2	
20	2131950	Dust Cap		2	
21	7010894	Hex Flange Bolt	M8×16	6	
22	7030413	Rivet	4.8×12	2	
23	6050142	Model Number		1	
24	7020901	Hexagon rivet nut	M8	3	
25	4012943	Tread Footrest		1	
26	7010820	Hex Flange Bolt	M8×20	13	
27	4561300	Battery mounting plate		1	
28	7020803A	Lock Nut	M8	22	
29	7180812	Square neck bolt	M8×20	5	
30	4561290	Right cover		1	
31	7011075	Hex Bolt	M10×130	2	
32	7031009	Washer	Φ10	4	
33	7085520	Spacer		2	
34	7021004A	Lock Nut	M10	2	
35	4561320	Shield/Rear		1	
36	4561330	Right Rear Shield		1	
37	4561440	Shield/Rear		1	
38	4561350	Left Rear Shield		1	
39	4561280	Left cover		1	

# HYDROSTATIC TRANSAXLE/WHEEL ASSEMBLY



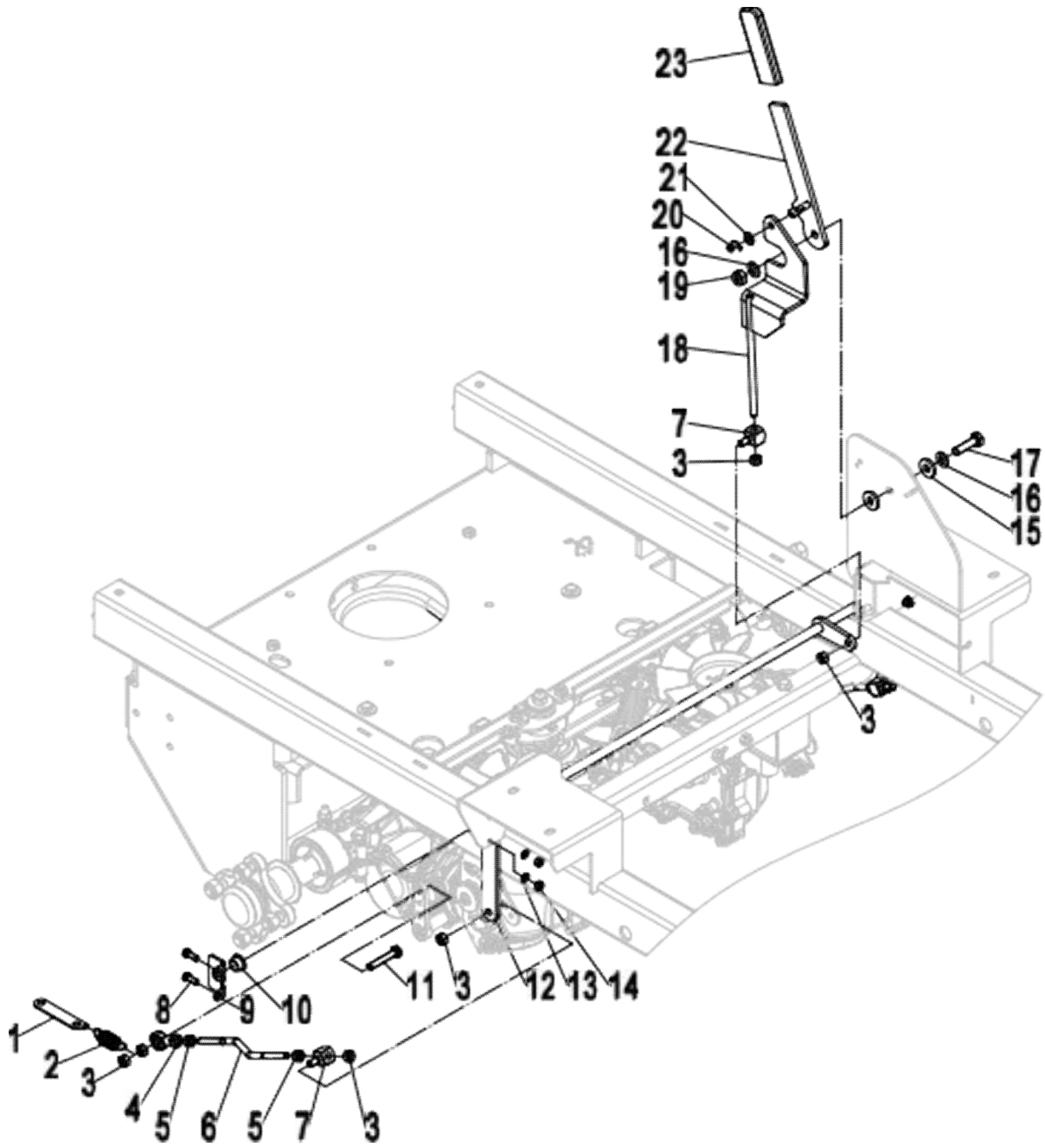
Item No.	Part No.	Name	Description	Qty.	Others
1	7010072A	Inch Wheel Hub Nut	1/2-20 UNF-2B	8	
2	8032420	Tire		2	
3	7011040	Hex Bolt	M10×55	2	
4	7041002	Lock Washer	Φ10	2	
5	7031009	Washer	Φ10	3	
6	4039495	Transaxle Spacer		1	
7	7010899	Hex Bolt	M8×75	4	
8	7030819	Washer	Φ8	18	
9	ZZ-KHEE-SKLC-31TX	Hydrostatic Transaxle , Lt	ZT-3800	1	
10	7010807	Hex Bolt	M8×60	2	
11	ZZ-GHEE-SKLB-21TX	Hydrostatic Transaxle , Rt	ZT-3800	1	
12	7020803	Lock Nut	M8	8	
13	7030813	Large Washer	Φ8	2	
14	7010932	Hex Bolt	M8×120	2	
15	4045990	Left tendril		1	
16	7030602	Washer	Φ6	2	
17	7131806	D Pin		2	
18	1051841	B81 Belt		1	
19	4045980	Right tendril		1	
20	7021004A	Lock Nut	M10	3	
21	4124435	Drive Belt stripper		1	
22	7085391	Spacer		2	
23	7144002	Washer		2	
24	7061223	Deep groove ball bearing	6203	2	
25	1047125	Idler Pulley		2	
26	7085411	Spacer		1	
27	4010015	Welding of tension swing Rod		1	
28	7011065	Hex Bolt	M10×65	1	
29	7060014	Deep groove ball bearing	6002	2	
30	7085400	Spacer		1	
31	7031027	Big Washer	Φ10	1	
32	7020803A	Lock Nut	M8	6	
33	4270015	Fixing plate		1	
34	7180812	Square neck bolt	M8×20	2	
35	7021222	Hex Flange Nut	M12	2	
36	7291208	Joint Bolt	M12×90	1	
37	7059600	Idler Pulley Spring		1	
38	7010888	Hex Bolt	M8×20	2	
39	7320020	Grease Zerk	M8×1	1	
40	4018805	Bearing seat welding		1	
41	4061606	Transaxle/Shield Panel		1	
42	7010894	Hex Flange Bolt	M8×16	2	

# STEERING ASSEMBLY



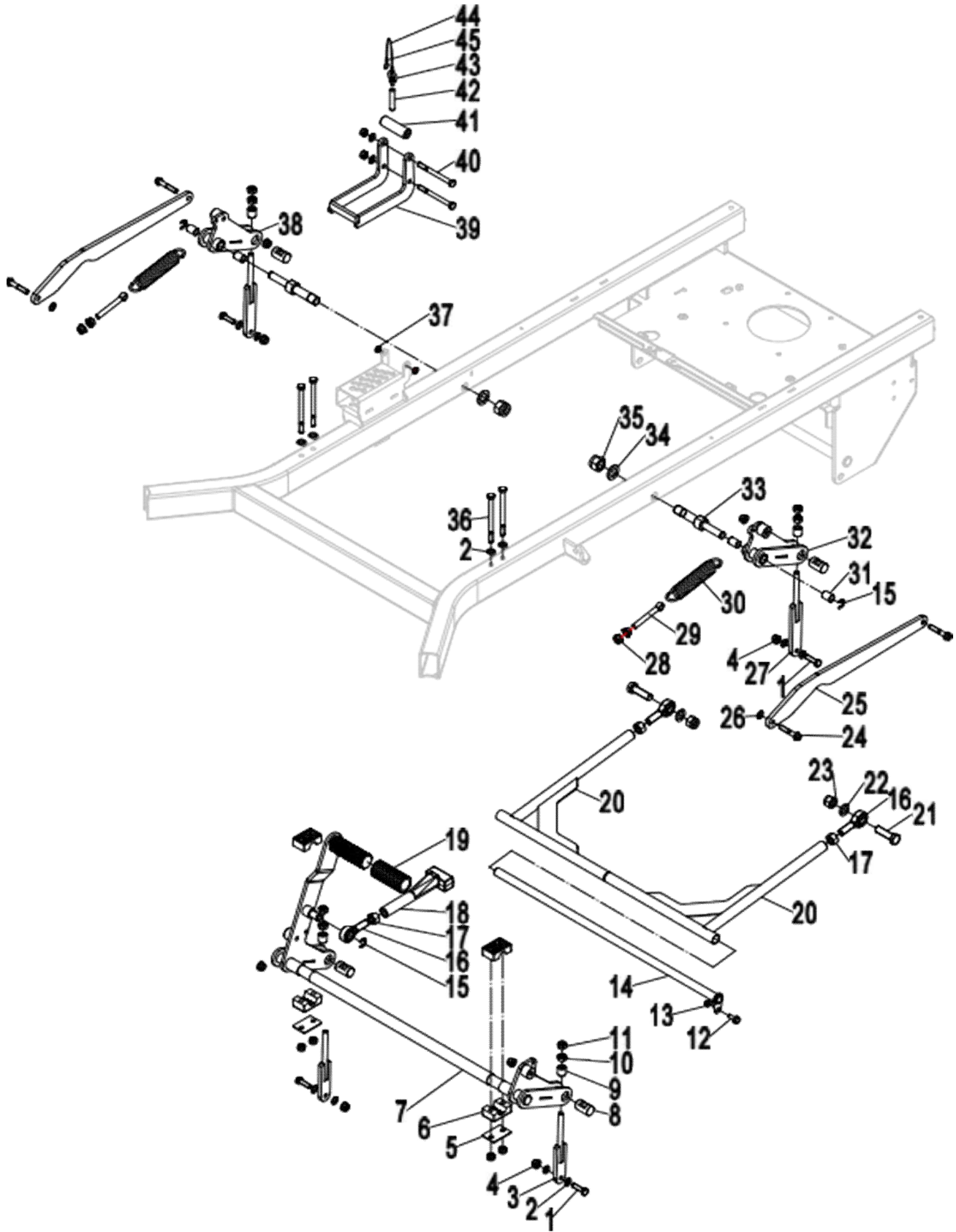
Item No.	Part No.	Name	Description	Qty.	Others
1	7181630	Bolt joint		2	
2	7030819	Washer	Φ8	18	
3	7121004	Joint Bearing RH/Rod End		2	
4	7020803A	Hex Lock Nut	M8	4	
5	7020804	Hex Nut	M8	8	
6	7292017	Straight draw bar		2	
7	7292009	Rotary casing		2	
8	7020860	Hex Nut	M8-L	2	
9	4022000	Welding of bending tie Rod		2	
10	7010826	Hex Bolt	M8×45	2	
11	7020803	Hex Lock Nut	M8	8	
12	7131806	D Pin		4	
13	2020450	Damper		2	
14	4133431	Bearing Pedestal		2	
15	4163010	Bearing Cap		4	
16	7060014	Bearing	6002-2RS	4	
17	4269820	Motion Pivot/RH		1	
18	5060601	Steel Ball	6	2	
19	7057560	Operating Stop Spring		2	
20	7083810	Bearing w/Flange		2	
21	4301240	Control Arm /RH		1	
22	7083540	Plastic Washer		2	
23	7010821	Hex Bolt	M8×25	4	
24	7040802	Lock Washer	Φ8	6	
25	7021004A	Hex Lock Nut	M10	2	
26	4165750	Lock Washer /RH		1	
27	4018850	Steering Handle RH		1	
28	5010025	Handle Grip- Foam		2	
29	7010844	Hex Bolt	M8×50	2	
30	7010880	Hex Bolt	M8×70	8	
31	4018840	Steering Handle LH		1	
32	4301230	Control Arm /LH		1	
33	4165740	Lock Washer /LH		1	
34	4269810	Motion Pivot/LH		1	

# PARKING BRAKE ASSEMBLY



Item No.	Part No.	Name	Description	Qty.	Others
1	4022010	Washer		2	
2	7051511	Spring		2	
3	7020803A	Hex Lock Nut	M8	8	
4	7121004	Joint Bearing RH/Rod End	M8	2	
5	7020804	Hex Nut	M8	4	
6	4020037	Straight draw bar		2	
7	4022030	Joint, Swivel		3	
8	7010662	Hex Bolt	M6×16	4	
9	4020016	Bracket		2	
10	7120200	Bearing		2	
11	7010826	Hex Bolt	M8×45	2	
12	4020038	Brake Linkage Weldment		1	
13	7030601	Washer	Φ6	4	
14	7020602A	Hex Lock Nut	M6	4	
15	7083540	Plastic Washer		2	
16	7031009	Washer	Φ10	2	
17	7011019	Hex Bolt	M10×35	1	
18	4022001	Handbrake		1	
19	7021004A	Hex Lock Nut	M10	1	
20	7131806	D Pin		1	
21	7030819	Washer	Φ8	1	
22	4020032	Park handle		1	
23	4042595	Grip, Brake Handle		1	

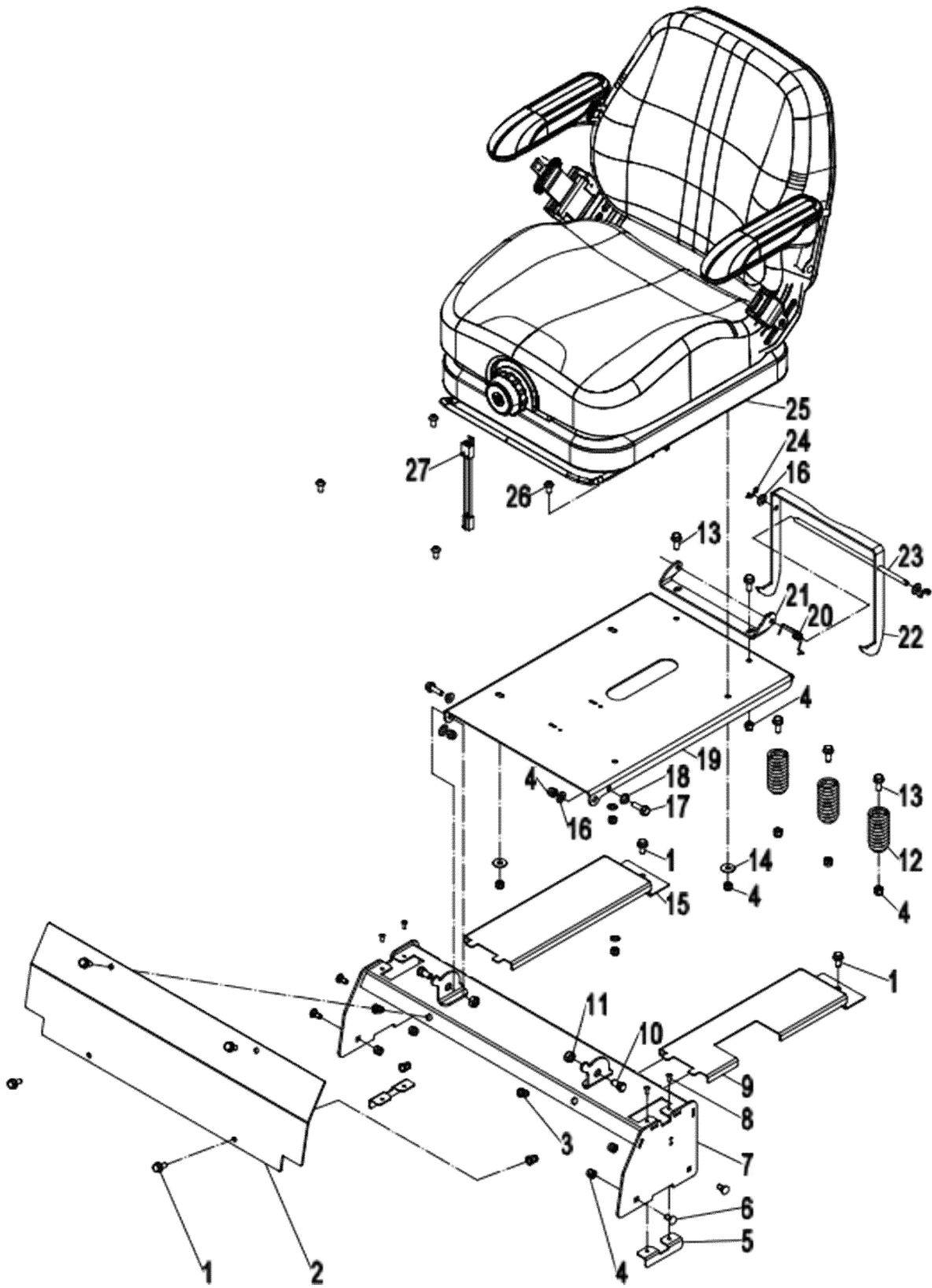
# DECK CARRIER ASSEMBLY



Item No.	Part No.	Name	Description	Oty.	Others
1	7011063	Hex Bolt	M10×45	4	
2	7031009	Washer	Φ10	14	
3	4046071	Rod, Deck Lift		2	
4	7021004A	Hex Lock Nut	M10	12	

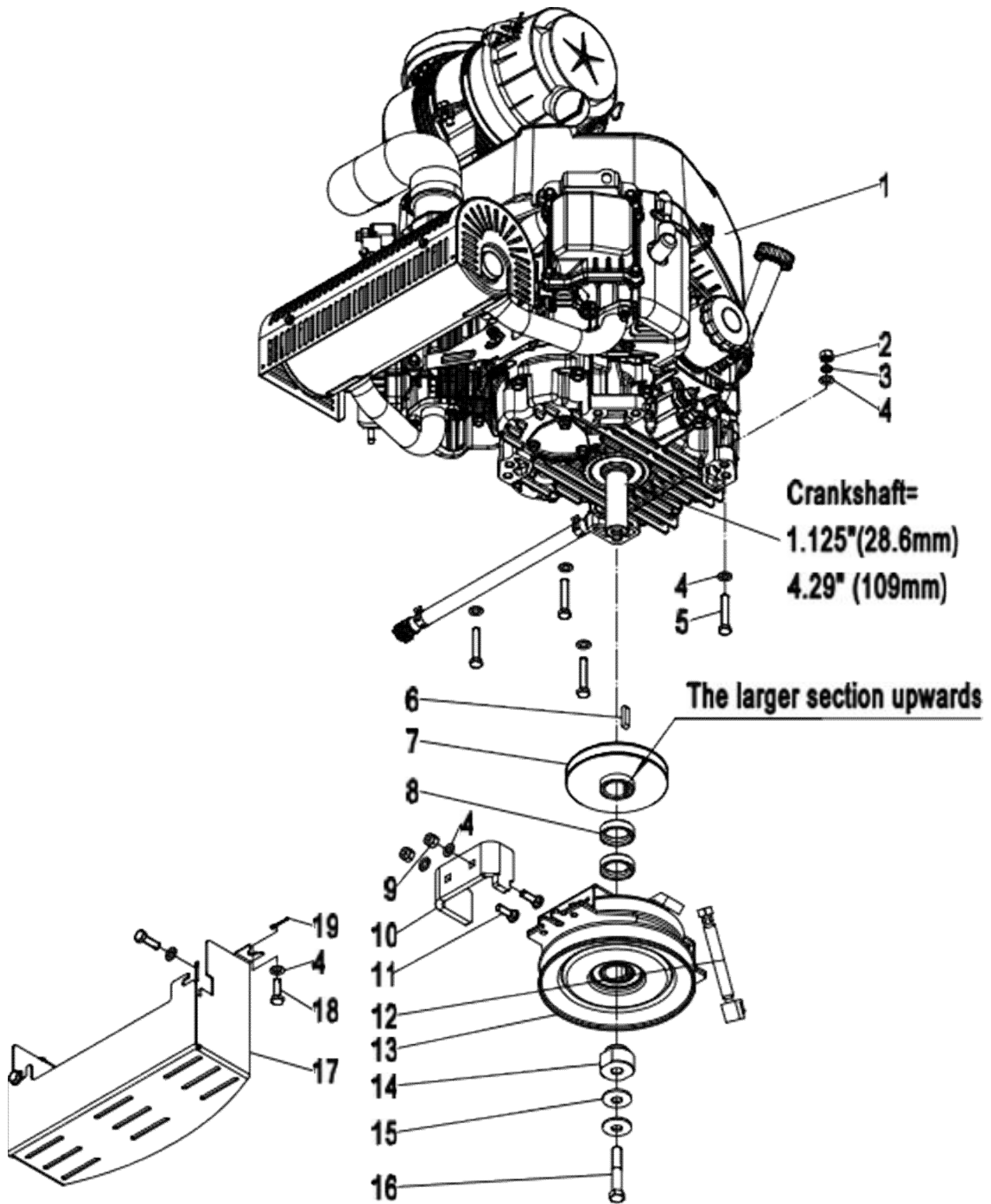
Item No.	Part No.	Name	Description	Qty.	Others
5	4151750	Lift Bearing Lower Plate		2	
6	4310015	Lift Bearing Block		4	
7	4058241	Lift Lever		1	
8	4046050	Trunnion		4	
9	4046040	Spacer		4	
10	7021201	Hex Nut	M12	4	
11	7021204A	Hex Lock Nut	M12	4	
12	7010820	Hex Flange Bolt	M8×20	1	
13	7020803A	Hex Lock Nut	M8	1	
14	4181251	Lock Pin -Roller		1	
15	7141203	Snap Ring	Φ12	3	
16	7121601	Joint Bearing/Rod End	M16	3	
17	7021607	Hex Nut	M16	3	
18	4040019	Slide, Height Adjustment		1	
19	5041140	Bushing		1	
20	4160811	Radius Arm Assembly		2	
21	7011621	Hex Bolt	M16×55	2	
22	7031602	Washer	Φ16	2	
23	7021603	Hex Lock Nut	M16	2	
24	7241054	Hex Flange Bolt	M10×55	4	
25	4058271	Pendulum link		2	
26	7031032	Washer		2	
27	4046061	Rod, Deck Lift		2	
28	7021242	Hex Flange Nut		4	
29	7291208	Joint Bolt	M12×90	2	
30	7059750	Idler Pulley Spring		2	
31	7121800	Self-lubricating bearing		4	
32	4058243	Deck Rocker LH		1	
33	1010086	Raise the connecting shaft		2	
34	7032006	Washer	Φ20	2	
35	7022007	Hex Lock Nut	M20	2	
36	7011075	Hex Bolt	M10×130	4	
37	7122006	Flange bearings		2	
38	4058242	Deck Rocker RH		1	
39	4046082	Grip, Deck Latch		1	
40	7011080	Hex Bolt	M10×110	2	
41	4046141	Spacer		1	
42	4046100	Pin		1	
43	1035104	Ring Bolt		1	
44	4170165	Wire Rope	1.5-270	1	
45	7084410	Aluminum Sleeve		2	

# SEAT ASSEMBLY



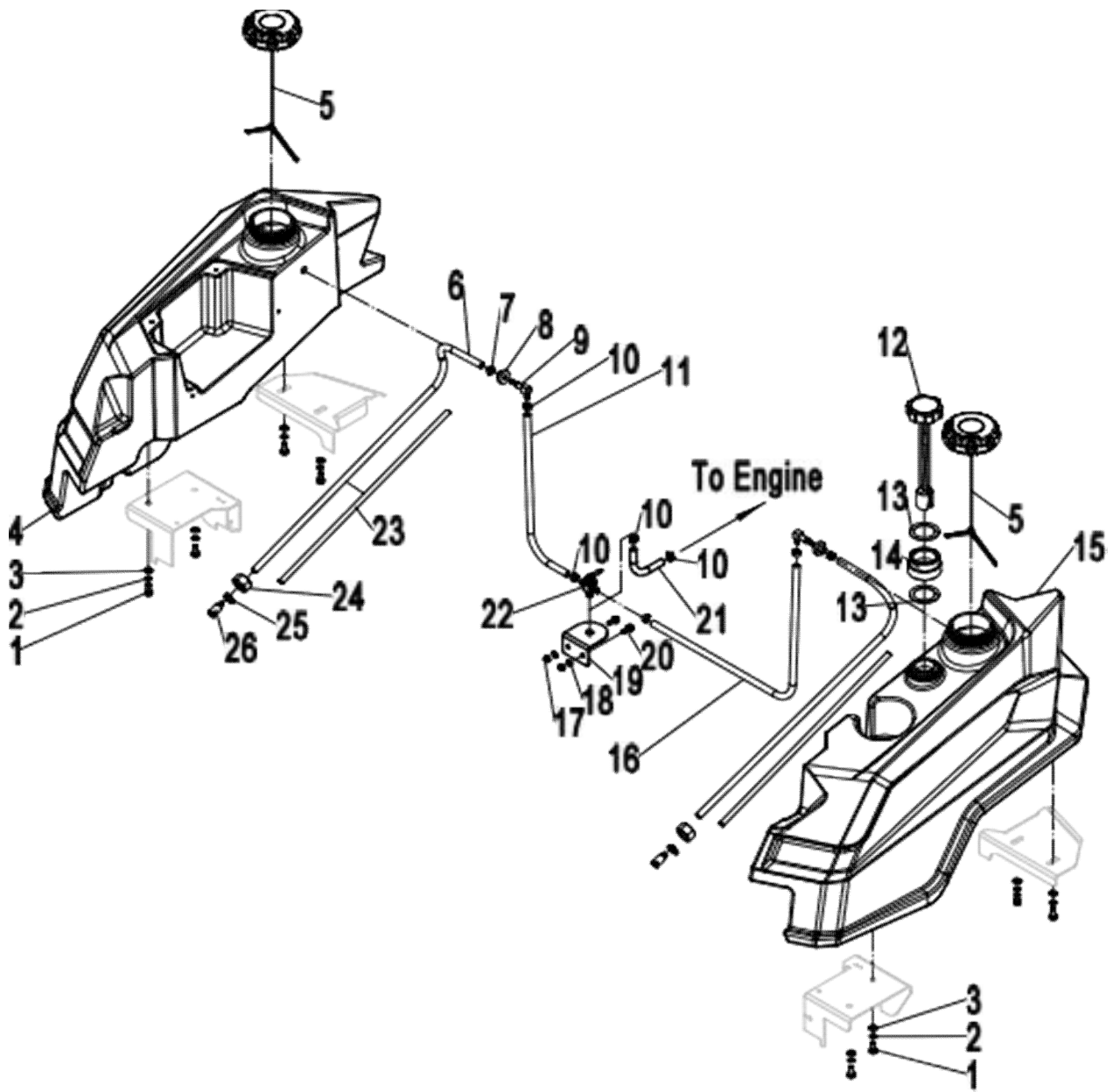
Item No.	Part No.	Name	Description	Qty.	Others
1	7010894	Hex Flange Bolt	M8×16	6	
2	4561310	Front Plate		1	
3	7020901	Rivet Nut	M8	2	
4	7020803A	Hex Lock Nut	M8	15	
5	4060418	Limit plate		2	
6	7180817	Square neck bolt	M8×16	4	
7	4138881	Seat Bottom Front Fender		1	
8	7030413	Rivet	4.8×12	4	
9	4561380	Left Side Baffle		1	
10	7181620	Pivot Bolt		2	
11	7021004A	Hex Lock Nut	M10	2	
12	7059381	Seat Spring		3	
13	7010820	Hex Flange Bolt	M8×20	5	
14	7030813	Big Washer	Φ8	4	
15	4063125	Side Baffle		1	
16	7030819	Washer	Φ8	4	
17	7010838	Hex Flange Bolt	M8×25	2	
18	7120190	Nylon sleeve		2	
19	4138890	Seat Plate		1	
20	7051521	Spring		1	
21	3060760-02	Fixed Plate		1	
22	3060760-01	Limiting Plate		1	
23	3060760-03	Rotary Shaft		1	
24	7131806	D Pin		2	
25	KL66-9999	Seat		1	
26	7240999	Hex socket cap screw	M8×16	4	
27	9053189	Seat Line		1	

ENGINE ASSEMBLY



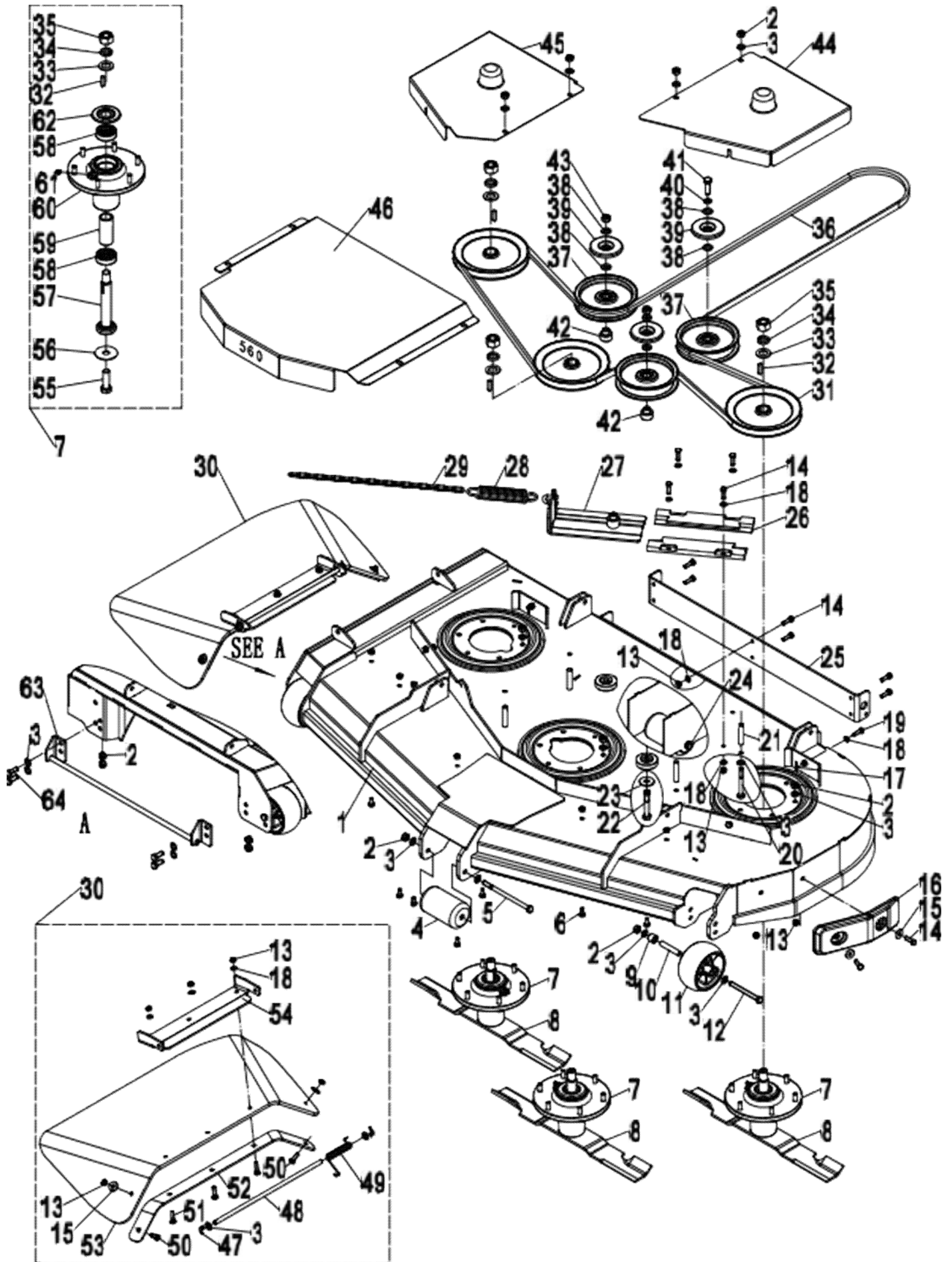
Item No.	Part No.	Name	Description	Oty.	Others
1	LC2P82F-L3443	LC Engine		1	
2	7020804	Hex Nut	M8	4	
3	7040802	Lock Washer	Φ8	4	
4	7030819	Washer	Φ8	14	
5	7010814	Hex Bolt	M8×40	4	
6	7110608A	Key	6.35×6.35×30	1	
7	1047115	B138-28.6 Pulley		1	
8	4124421	Spacer		2	
9	7020803A	Hex Lock Nut	M8	2	
10	4221320	Clutch stop		1	
11	7180818	Hex Bolt	M8×25	2	
12	9054890	Transfer Harness		1	
13	7101445	Electromagnetic PTO Clutch		1	
14	4124460	Clutch Sleeve		1	
15	4071060	Clutch Plate		2	
16	7010140A	Inch Bolt	7/16-20×2 1/2	1	
17	4060169	Belt pulley guard		1	
18	7016560	Hex Bolt	M8×25	4	
19	7130204	pin		4	

FUEL ASSEMBLY



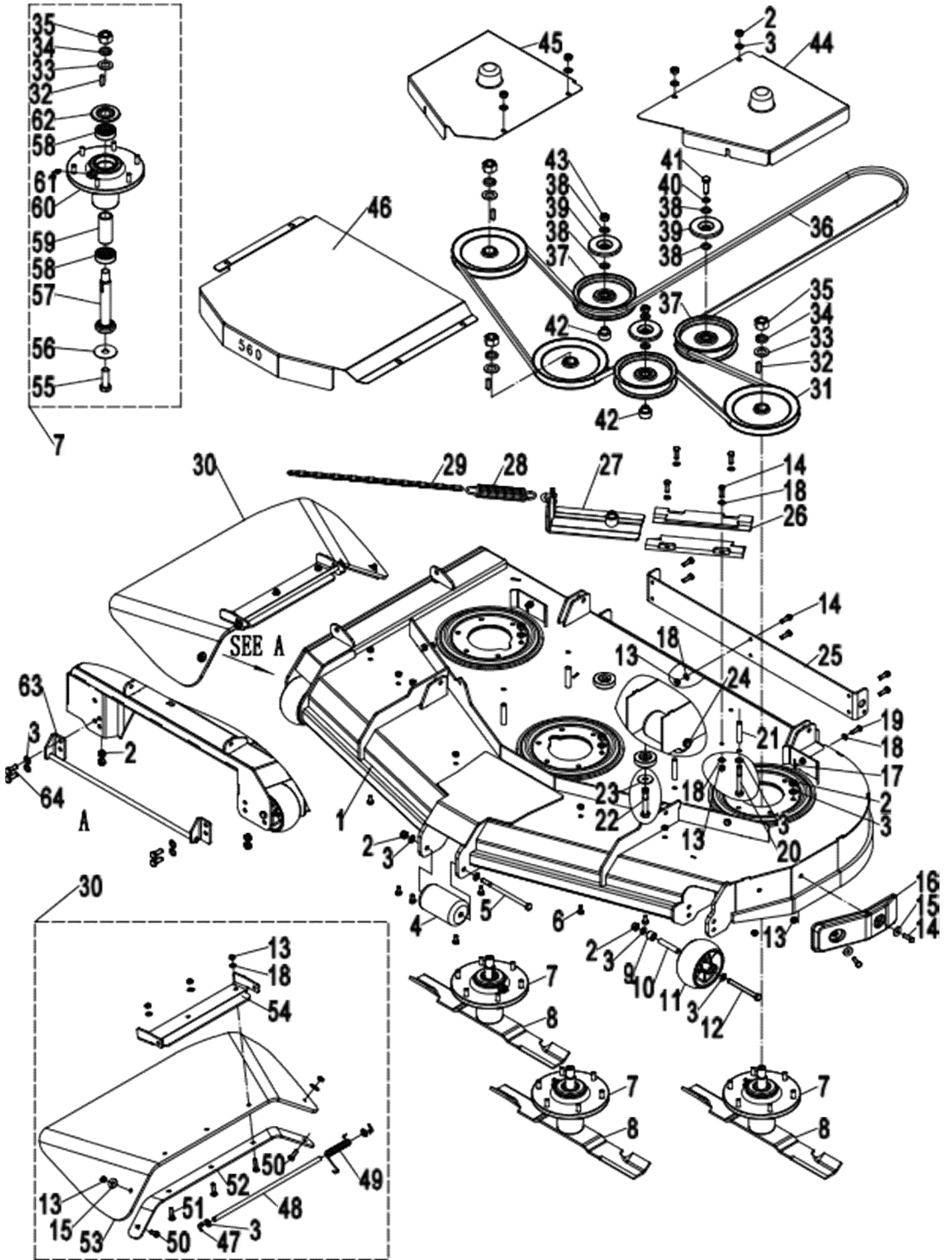
Item No.	Part No.	Name	Description	Oty.	Others
1	7010847	Hex Bolt	M8×16	8	
2	7040802	Lock Washer	Φ8	8	
3	7030819	Washer	Φ8	8	
4	2082240	Fuel Tank, RH		1	
5	2081032A	Fuel Cap		2	
6	2118241	Fuel Line		2	
7	7150173	Hose Clamp-Spring		2	
8	7083440	Bushing-Fuel Tube		2	
9	2128020	Suction Elbow		2	
10	7150170	Hose Clamp-Spring		6	
11	2119340	Fuel Line		1	
12	JYT01225	Fuel Gauge		1	
13	4040002	Rubber Pad		2	
14	4040001	Transition Coupling		1	
15	2082250	Fuel Tank, LH		1	
16	2119900	Fuel Line		1	
17	7020602A	Hex Lock Nut	M6	2	
18	7030601	Washer	Φ6	2	
19	4070331	Oil Circuit Switch Bracket		1	
20	7010674	Hex Flange Bolt	M6×16	2	
21	2115940	Fuel Line		1	
22	H0907	Valve, Fuel Shut-Off		1	
23	2119701	Oil Tube Lining		2	
24	7022004	Hex Nut	M20×1.5	2	
25	7150024	Pipe Clamp		2	
26	2060195	Filter Adapter		2	

52" & 60" MOWER DECKS ASSEMBLY



Item No.	Part No.	Name	Description	Qty.	Others
1	4242022	52"Mower Deck		1	52"
	4242021	60"Mower Deck		1	60"
2	7021004A	Hex Lock Nut	M10	26	
3	7031009	Washer	Φ10	34	
4	8010015	Anti-scalp Roller		2	
5	7011456	Hex Bolt	M10×160	1	
6	7010847	Hex Bolt	M8×16	8	
7	B500636	Blade Spindle Assembly		3	
8	3010751	458 Blade		3	52"
	3010800	520 Blade		3	60"
9	4262150-03	Spacer		2	
10	4240585	Spacer		2	
11	8011800	Anti-scalp Roller		2	
12	7011080	Hex Bolt	M10×110	2	
13	7020803A	Hex Lock Nut	M8	19	52"
				25	60"
14	7010821	Hex Bolt	M8×25	6	52"
				12	60"
15	7030813	Big Washer	Φ8	4	
16	4060113	Impact block		1	
17	7130204	Pin		6	
18	7030819	Washer	Φ8	17	52"
				23	60"
19	7016560	Hex Bolt	M8×25	6	
20	7011052	Hex Bolt	M10×80	4	
21	7085530	Spacer		4	
22	7011307	Hex Bolt	M12×75	2	
23	7031208	Big Washer	Φ12	2	
24	7011155	Hex Bolt	M10×150	1	
25	4138882	Rear support of cutter disk		1	60"
26	4540010	Slider		2	
27	4040036	Idler Arm		1	
28	7059750	Idler Pulley Spring		1	
29	5092240	Chain		1	
30	B021390	Discharge Rubber Guard Assembly		1	
31	1042100	Pulley	B157	3	52"
	1042000		B190	3	60"
32	7110803	Key	8×7×30	3	
33	7032006	Washer	Φ20	3	
34	7042003	Lock Washer	Φ20	3	
35	7022004	Hex Nut	M20×1.5	3	
36	1050163	Belt	SB163	1	52"
	1050178		SB178	1	60"

52" & 60" MOWER DECKS ASSEMBLY

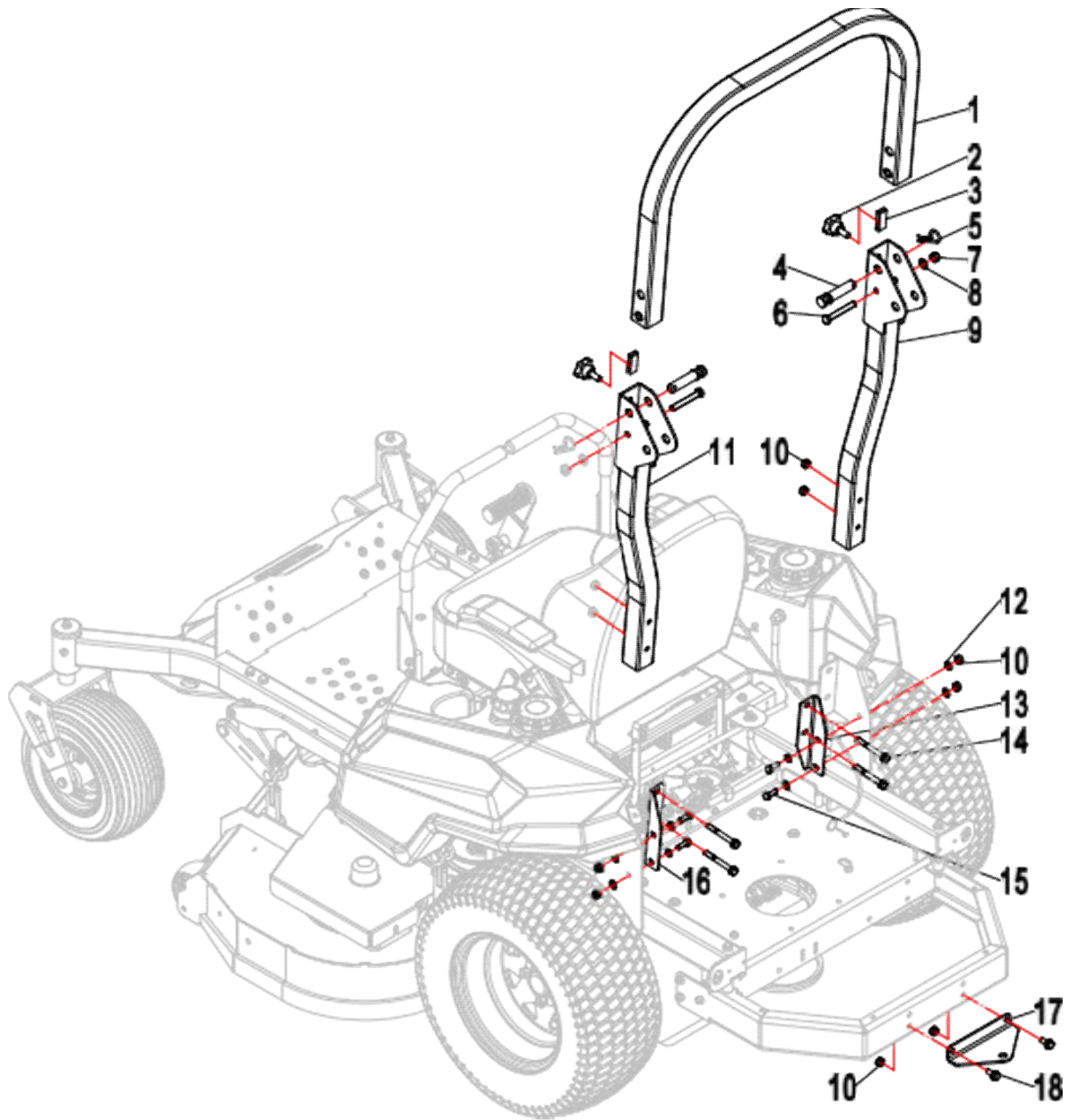


Item No.	Part No.	Name	Description	Qty.	Others
37	1041690	Deck Mount		3	
38	7031221	Washer	Φ12	6	
39	4241745	Dust cover		3	
40	7041202	Lock Washer	Φ12	1	
41	7011255	Hex Bolt	M12×35	1	
42	1012026	Wheel shaft		2	
43	7021204A	Hex Lock Nut	M12	2	
44	4241831	Belt Guard LH		1	52"
	4561360			1	60"
45	4241832	Belt Guard RH		1	52"
	4561370			1	60"
46	4561460	Belt Guard		1	52"
	4561450	Belt Guard		1	60"
47	7131806	D Pin		2	
48	1010027	Connecting shaft		1	
49	7051015	Spring-Torsion		1	
50	7180818	Hex Bolt	M8×25	2	
51	7180839	Hex Bolt	M8×30	3	
52	4157656	Mount Plate/Lower		1	
53	4065071	Rubber Guard		1	
54	4157657	Mount Plate/Lower		1	
55	7011606	Hex Bolt	M16×1.5×50	3	
56	4152540	Plate		3	
57	1014040	Spindle Shaft		3	
58	7061232	Deep groove ball bearing	6205-DDU	6	
59	4120860	Bearing Spacer		3	
60	4070440	Spindle Housing		3	
61	7320020	Grease Zerk	M8×1	3	
62	4065201	Bearing Shield		3	
63	4561470	Cutting disc guard rod		1	
64	7011016	Hex Bolt	M10×25	4	



Item No.	Part No.	Name	Description	Oty.	Others
1	5041160	Battery cushion		1	
2	4181281	Battery Hold Down Strap Rod		2	
3	9070335	Battery		1	
4	4152270	Battery Hold Down Plate		1	
5	7020606	Wing Nut		2	
6	7260531	Cross Recess Head Screw	M5×16	6	
7	9010495	Interlock Switch		3	
8	7020505A	Hex Lock Nut	M5	10	
9	7010662	Hex Bolt	M6×16	6	
10	7084410	Oval Aluminum Sleeve		2	
11	4170165	Wire Rope		1	
12	9160191	Switch Bracket		1	
13	7020602A	Hex Lock Nut	M6	10	
14	9210450	Wire Rope		1	
15	9053181	Battery negative wire harness		2	
16	7010894	Hex Flange Bolt	M8×16	1	
17	7020803A	Hex Lock Nut	M8	1	
18	4110644	LED Light		1	
19	9055150	Main Harness		1	
20	6631001	Cathode Protective Cap		1	
21	5073170	Throttle Box		1	
22	7260507	Cross Recess Head Screw	M5×12	4	
23	7260602	Hex Bolt	M6×12	4	
24	9160190	Console		1	
25	9021001	Relay		2	
26	9100669	Electric Change and Hour		1	
27	9010548	PTO Clutch Switch		1	
28	AES-1311-53A	Ignition Switch		1	
29	2117431	Switch		1	
30	5072470	Choke Control		1	
31	9020280	Starting Relay		1	
32	9053191	Starting harness		1	
33	9053171	Battery positive wire harness		1	
34	6631002	Positive Protective Cap		1	
35	6631003	Power Cord Protective Cap		3	

# ROPS ASSEMBLY



Item No.	Part No.	Name	Description	Oty.	Others
1	4260841	U-Shape Bar		1	
2	5013230	Knob	M12×25	2	
3	4162520	Springle Cushion		2	
4	7133220	Lock Pin		2	
5	7133130	R Pin		2	
6	7011301	Hex Bolt	M12×80	2	
7	7021204A	Hex Lock Nut	M12	2	
8	7031221	Washer	Φ12	2	
9	4039620	Right Arm		1	
10	7021004A	Hex Lock Nut	M10	10	
11	4039610	Left Arm		1	
12	7031009	Washer	Φ10	8	
13	4020024	Right connecting plate		1	
14	7011064	Hex Bolt	M10×80	4	
15	7011016	Hex Bolt	M10×25	4	
16	4020023	Left connecting plate		1	
17	5090910	Drag Hook connecting plate		1	
18	7011092	Hex Bolt	M10×20	2	